

Speed™ and Speed Plus™

Frame Alignment System for Light Cosmetic Damage



CAR-O-LINER®

Light, but not a lightweight

Speed is one of the most effective lighter weight benches on the market. Packing a 5-ton draw aligner with 2,500 kgs of lifting capacity there isn't much that this bench can't tackle in the way of cosmetic damage repair.

It only takes a few seconds to "snap on" Speed's convenient draw aligner which can be turned 180° around the platform at one end and tilted 90° horizontally. Once pulling begins the draw aligner finds the correct position. For more pulling power there is the Speed Plus bench which allows for the attachment of two draw aligners, one at either end.



Speed's D20 draw aligner gives 5 tons of pulling force.

Features and Benefits

- **Quick set-up time** — drive/roll the car over the lifting platform (104 mm resting clearance) - increases your workshop capacity
- **"Snap-on" 5-ton draw aligner** — offers 2,500 kg of lifting capacity and 360° multi-angle pulling - can handle most types of sheet metal damage and cosmetic damage repair
- **Versatile** — the entire job can be completed using just one bench, shortening cycle times and increasing profits
- **Two models** — Speed and the longer Speed Plus gives versatility to your repair shop
- **Small footprint** — makes it the perfect addition to any type of repair/service shop
- **Ergonomic design** — easy to reach damaged areas with nearly two meters maximum lift height
- **Two types of installation** — above- or in-ground, provides the versatility to complete both cosmetic damage repairs as well as other light service and repair work

Ergonomic design benefits technicians

Speed's scissorlift has such a low profile that you can drive/roll almost any vehicle over the platform eliminating the need for ramps or external accessories. Moreover, the car can be quickly and easily raised to the most comfortable working height for each repair operation. Speed offers superior vehicle access since no posts are needed. These ergonomic features increase efficiency and offer a productive working environment for the technician.



Versatility improves workflow

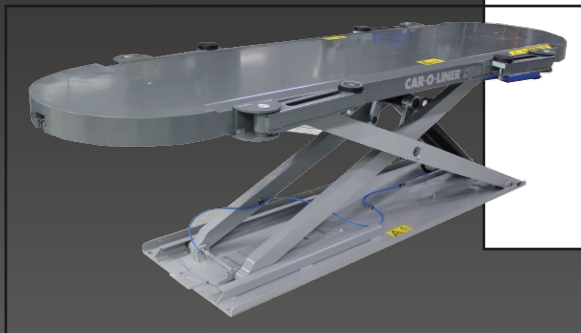
Speed can handle most types of sheet metal damage, but what makes this bench different from most ordinary alignment benches is that Speed's versatility allows you to complete almost the entire job on just one bench. All repair and service operations can be performed quickly and effectively using a single set-up. You avoid the unnecessary interruptions that arise when moving the car between different work stations giving you a greatly improved work flow and increasing your overall workshop capacity.



Speed and Speed Plus are also available in grey. (Shown here with optional drive-on ramps)

Speed Plus

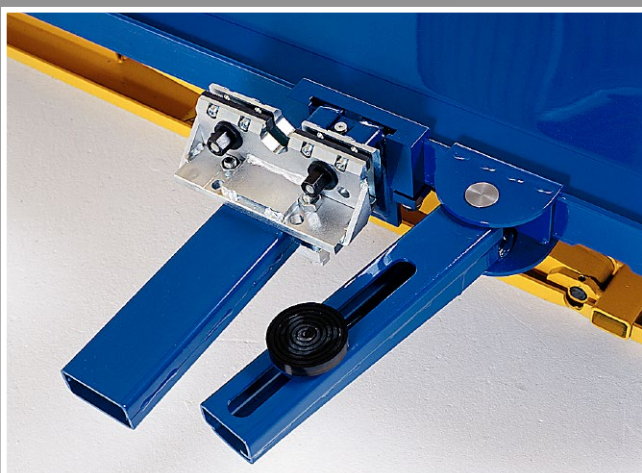
Choose **Speed Plus** for when you need double pulling power. This longer version of Speed allows for the attachment of two draw-aligners so pulling can be done from both ends simultaneously.



ACCESSIBLE Once locked in position with the chassis clamps and lifted, pulling and other service/repair work can begin. (Optional B110 chassis clamps shown)



VERSATILE The 5-ton draw aligner can be adjusted in any position and is self-positioning



EFFECTIVE The removable bench arms can be adjusted vertically for easy clamping and mounting without lifting the vehicle off the bench



ERGONOMIC Speed can be raised and lowered to the most comfortable working position for each operation. Accessibility is perfect around the entire vehicle.

Quality Components and Standardized Accessories

Laser-cut components, in high-strength steel, guarantee high precision in dimensions as well as solid mounting for the supporting arms and the draw aligner. The stable compound leverage floor lift is also built of high-strength steel while the double cylinders and mechanical security lock provide maximum safety for the technician.

Technical Data

Lifting Platform	Speed (inc. lift) Art. No. Blue 34575 Art. No. Grey 34575-32	Speed Plus (inc. lift) Art. No. 34576 Art. No. Grey 34576-32
Length	2 510 mm	2 833 mm
Width	766 mm	766 mm
Min. height	104 mm	104 mm
Max. height	1600 mm	1600 mm
Work area size	3600 x 2966 mm	5064 x 2966 mm
Total weight, lift and work platform	550-600 kg	550 - 600 kg
Lift capacity (max. vehicle weight)	2 500 kg	2 500 kg
Hydraulics		
Pulling force (per draw aligner)	5 tons	5 tons
Hydraulic pressure on lift	210 bar	210 bar
Air connection pressure	max 10 bar	max 10 bar
Sound level	Below 70 dB(A)	Below 70 dB(A)
Electrical cable length	4 m	4 m
Hydraulic hose length	7 m	7 m
Cable to control box	10 m	10 m
Power: 3 Ph, 50 Hz, 200/230/400 V 1 Ph, 60 Hz, 110/220 V		

Available Configurations:

Speed - no lift: Art. No. 35877

Speed Plus - no lift: Art. No. 35878

Speed with lift and Telescopic Lifting Pad Kit:

Blue- Art. No. 47031, Grey- Art. No. 47031-32

Speed Plus with lift and Telescopic Lifting Pad Kit:

Blue- Art. No. 46843, Grey- Art. No. 46843-32

The Speed bench has all the accessories you could possibly need and is compatible with the accessories developed for Car-O-Liner's larger benches. Moreover, the accessories you buy for your first Speed are designed to fit later models. You can successively expand your operations with multiple Speed benches, all using the same draw aligners and other accessories. This reduces investment costs and makes long-term financial sense.

TELESCOPIC LIFTING PADS

(Optional)



The removable bench arms with telescopic lifting pads can be adjusted vertically for easy mounting and lifting.

SILL LIFT WITH DRIVE-ON RAMPS

(Optional)



Get extra flexibility with the sill-lift with drive-on ramps - the ramps are easily lifted on/off the bench as desired.

STRONG MEASURING EXTENSIONS



Strong measuring extensions, B649, give increased performance and safety during pulling

RUST PROTECTION



Rust protection in the floor mount ensures that your Speed will always remain strong and look good.

Car-O-Liner is recognized for its leadership in the marketplace by continuously delivering high quality products and exceptional customer service.



car-o-liner.com



CAR-O-LINER®

Car-O-Liner Hulda Mellgrens gata 1 SE-421 32 Västra Frölunda, SWEDEN
Telephone +46 721 1050 www.car-o-liner.com info@car-o-liner.se