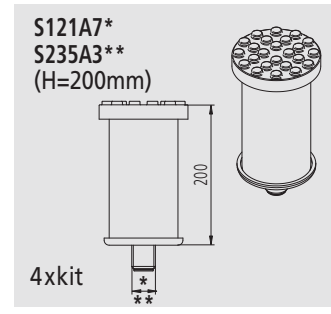
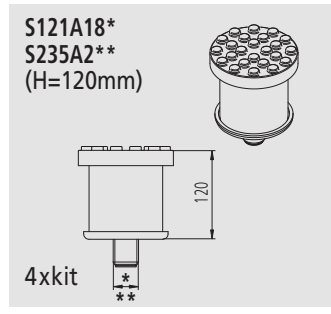
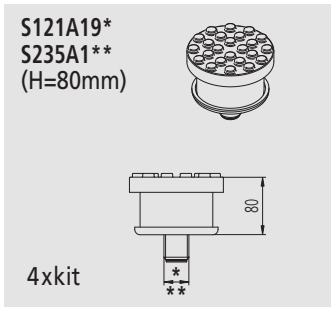


• ACCESSORI PER DUE COLONNE • ACCESSORIES FOR 2 POST LIFT • ZUBEHÖR FÜR 2-SÄULEN-HEBEBÜHNEN  
 • ACCESSORIES POUR DEUX COLONNES • ACCESORIOS PARA DOS COLUMNAS



STANDARD ARMS  
\*M30 THREAD  
CAPACITY ≤3200 kg (kit of 4)

STANDARD ARMS  
\*\*M33 THREAD  
CAPACITY >3200 kg (kit of 4)

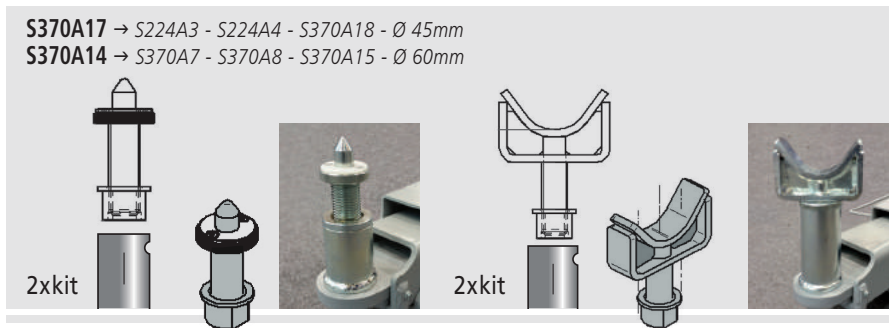
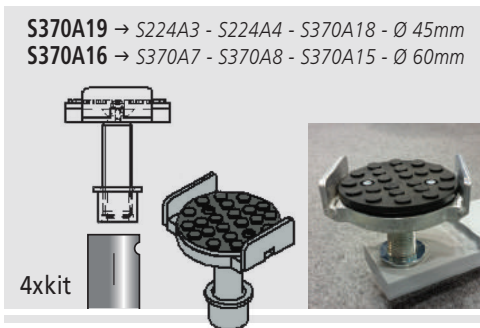
For Fiat Ducato, Peugeot Boxer, Citroën Jumper  
Distanziali / Spacers / Abstandstücke / Rehausses / Espesores



\* K - LIK - LIKT ARMS Ø 45mm  
\*\* 70LIK ARMS Ø 60mm  
\*\*\* R ARMS Ø 55mm



For Fiat Ducato, Peugeot Boxer, Citroën Jumper  
Distanziali / Spacers / Abstandstücke / Rehausses / Espesores



Supporti presa telaio / Frame adapters / Halterungen für Chassisaufnahme / Supports prise sur chassis / Espesores de agarre sobre chasis

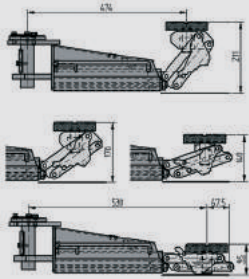
For Mercedes Sprinter, VW LT+Crafter  
Supporti / Adapters / Halterungen / Supports / Adaptadores de agarre



Supporti presa telaio / Frame adapters / Halterungen für Chassisaufnahme / Supports prise sur chassis / Espesores de agarre sobre chasis

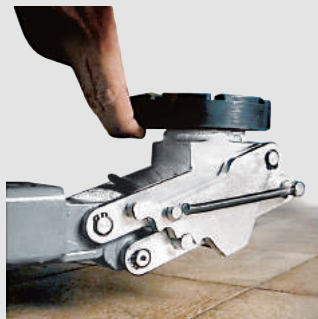
Supporti presa telaio / Frame adapters / Halterungen für Chassisaufnahme / Supports prise sur chassis / Espesores de agarre sobre chasis

Kit supporto distanziali  
Spacer supports  
Satz Halterung Distanzhülsen  
Supports pour rehausses  
Soportes para espesores



## MULTI HEIGHT PAD

CAPACITY ≤3500kg



S305A14  
S336A1  
S234A1

### Tampori Estensibili

- 4 altezze (95, 140, 178, 211mm)
- posizionamento rapido
- si alza con due dita e scende tirando il cavalletto
- ulteriore regolazione a vite di 40mm

### Tampons Extensibles

- 4 hauteurs (95, 140, 178, 211mm)
- positionnement rapide
- levage avec deux doigts et descente en tirant le câble
- réglage ultérieur à vis de 40mm

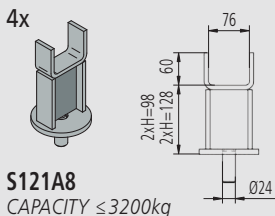
### Flip-up Pads

- 4 heights (95, 140, 178, 211mm)
- quick positioning
- two fingers to push up the pad and lowering by pulling the cable
- further 40mm screw adjustment

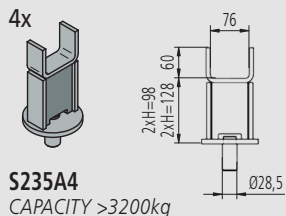
### Tacos Extensibles

- 4 alturas (95, 140, 178, 211mm)
- colocación rápida
- se levanta con dos dedos y se baja tirando el cable
- 40mm más de altura ajustables a rosca

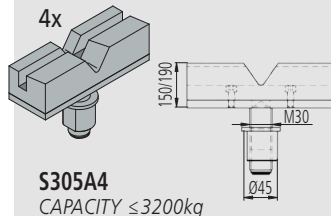
S305A14/S Fornito installato in fabbrica in sostituzione dei tamponi esistenti  
S336A1/S Fitted in factory instead of standard pads  
S234A1/S Satz Aufnahmen wie ohne /S Satz bereits werksseitig montiert  
S370A2/S Fournis installés en remplacement des tampons existants  
S5.337A7X2/S Tacos suministrado ya instalados en lugar de los tacos normales



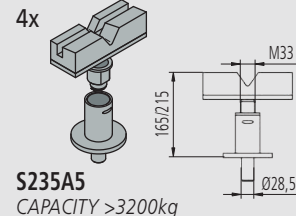
S121A8  
CAPACITY ≤3200kg



S235A4  
CAPACITY >3200kg

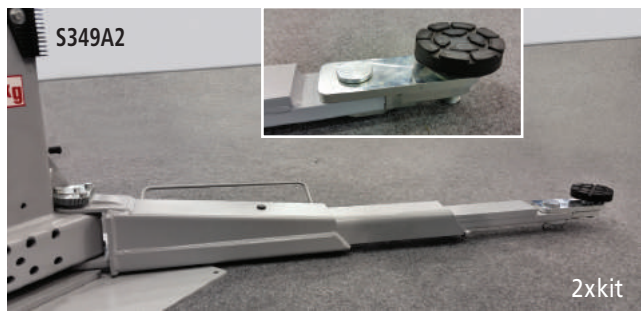


S305A4  
CAPACITY ≤3200kg



S235A5  
CAPACITY >3200kg

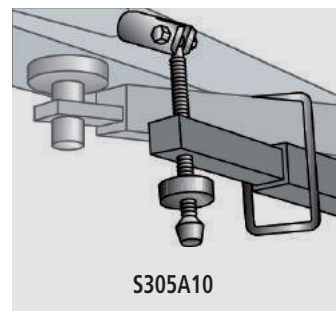
### For Mercedes 460 range



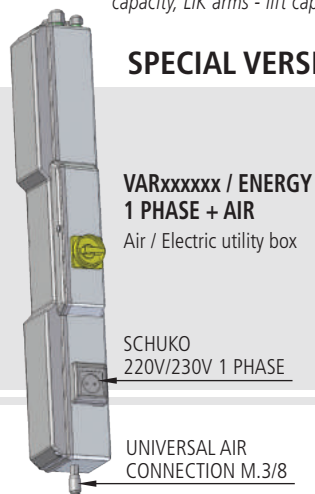
Arm Extension (→For baseless lift, electromechanical synchronization, 4,2 ton capacity, LIK arms - lift capacity reduced to 3,5ton)



Set parasportelli / Set of door protections / Satz Türanschläge / Kit protection portes / Juego de protecciones para puertas.



Barra trattenimento veicolo / Vehicle locking bar / Halterung / Barre de blocage voiture / Bloqueo de seguridad.  
For Mercedes

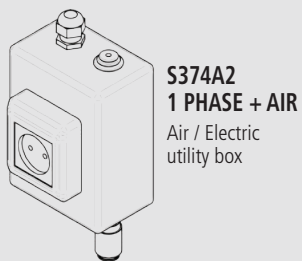


## SPECIAL VERSIONS Energy Set

VARxxxxxx / ENERGY  
1 PHASE + AIR  
Air / Electric utility box

SCHUKO  
220V/230V 1 PHASE

UNIVERSAL AIR  
CONNECTION M.3/8



S374A2  
1 PHASE + AIR  
Air / Electric  
utility box

### S121A2A

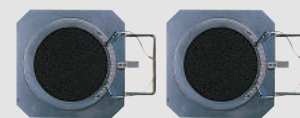


Cavalletti per assetto / Alignment stands / Stative für Achsvermessung / Béquilles pour géométrie / Caballetes para alineado

### S110A7

Ø 310 mm (12.2")  
2x1000 kg (2x2200lbs)

## TURNTABLES

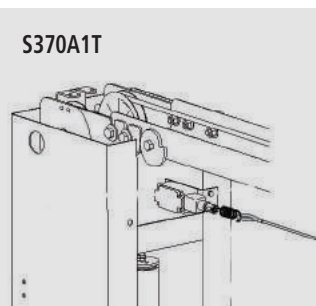


Piatti rotanti / Turntables / Drehplatten / Plateaux pivotants / Platos giratorios

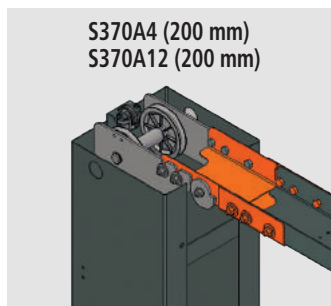


S370A20 (3 PHASE)  
S370A21 (1 PHASE)

Fincorsa / Limit switch / Endabschalter / Fin de course / Final de carrera



S370A1T



S370A4 (200 mm)  
S370A12 (200 mm)

Estensione larghezza / Width extension / Verbreitung / Extension en largeur / Extensión de anchura

